

QUICK START GUIDE

Trimble X9

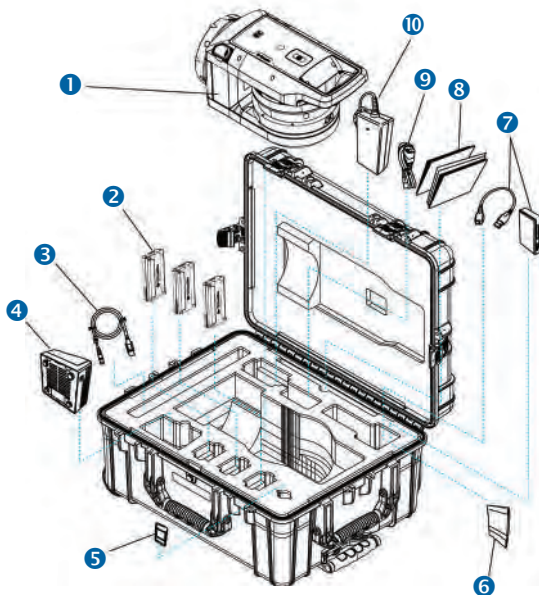
3D LASER SCANNER



The Trimble® X9 3D laser scanning system combines proven technological innovations with increased speed, range, and accuracy to boost efficiency and confidence in the field.



IN THE CASE

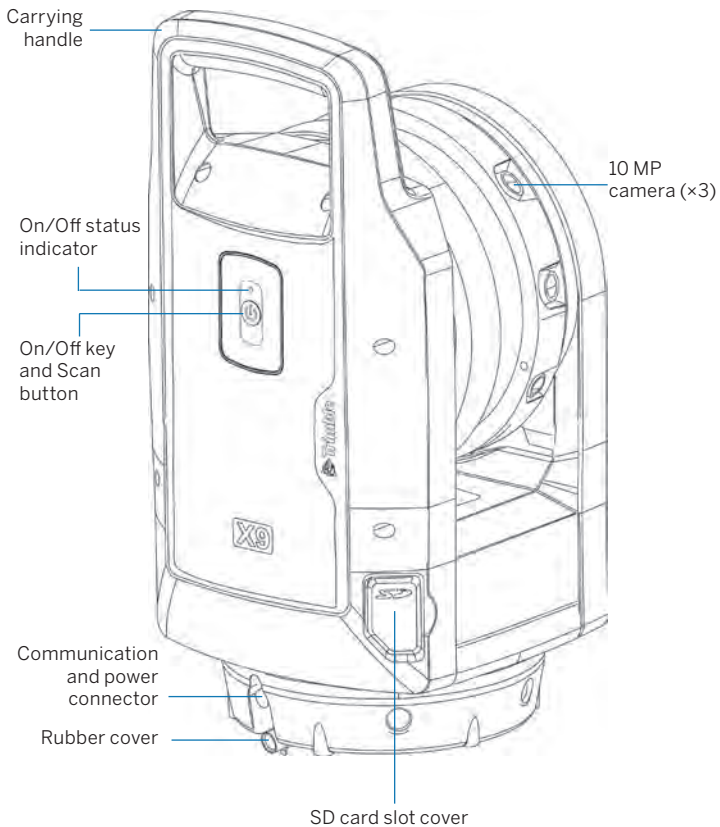


- 1** X9 3D laser scanner
- 2** Battery (×3)*
- 3** USB communication cable
- 4** Dual battery charger**
- 5** SD card
- 6** Cleaning cloths
- 7** SD card reader
- 8** Documents: Quick Start Guide, Warranty Activation card, Instrument test certificate, Regulatory Information Document
- 9** Power supply cable for charger**
- 10** Power supply for charger **

* Shipping regulations only allow two batteries to be packed separately and one battery to be inserted in the instrument. You must remove the tape over the contact of the battery in the instrument before use.

** Regional parts (P/N 101070-00-##) ordered and shipped separately.

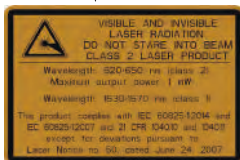
FEATURES



Battery compartment cover lock

Auto-calibration system

Multi-color LED (x5)



SPECIFICATIONS

Physical specifications

Weight (with battery)	6.045 kg (13.33 lbs)
Internal battery weight	0.35 kg (0.77 lbs)
Dimensions	178 mm (W) × 353 mm (H) × 170 mm (D) 7.00 in (W) × 13.90 in (H) × 6.69 in (D)

Environmental specifications

The X9 3D laser scanner is designed for outdoor use.

Ingress protection rating	IP55
Operating temperature range	-20 °C to 50 °C (-4 °F to 122 °F)
Storage temperature range	-40 °C to 70 °C (-40 °F to 158 °F)
Altitude	2,000 m
Relative humidity	95%
Equipment pollution degree	4

For complete technical specifications, see the *X9 Data Sheet* at geospatial.trimble.com/X9.

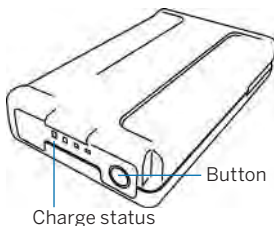
BATTERY INFORMATION

WARNING – Before charging or using the battery, it is important that you read and understand the battery safety and environmental information in the *X9 Regulatory Information Document*.

NOTE – Remove the tape over the contact of the battery stored in the instrument before charging or using it with the scanner.

Use only batteries with P/N 99511-30.

The performance of the battery is lower at temperatures below 0 °C (32 °F). A cold battery might not be enough to start the instrument. For best battery performance, keep the battery close to 20 °C (68 °F) before using it. The battery has status indicator LEDs. Push the button on the battery to check the charge status.



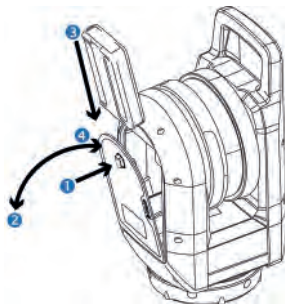
Charge the battery

When the rechargeable Lithium-ion battery is delivered, it is partially charged. Before using the battery for the first time, charge it completely using a Trimble dual battery charger (P/N 109000).

NOTE – Refer to the *X9 User Guide* for more information.

Insert the internal battery

1. Press the battery compartment lock downward to unlock.
2. Open the battery compartment.
3. Insert the battery into the battery compartment, with the battery connectors positioned towards the bottom of the instrument, and facing inward.
4. Close the battery compartment.



INSERT A MEMORY CARD

NOTE – Before inserting (or removing) a memory card from the instrument, ensure that the instrument is off.

CAUTION – Do not insert the memory card upside down or back to front. Inserting it incorrectly could damage the instrument and/or the memory card.

1. Open the memory card slot cover.
2. Slide the memory card into the card slot until it clicks into the locked position.
3. Close the memory card slot cover.



SETUP

A stable setup is critical for high precision measurements. Set the tripod legs wide apart to ensure stability. Please consider that the instrument requires sufficient time to adjust to the ambient temperature. The rule-of-thumb for a high precision measurement is:

- Celsius: Temperature difference in degrees Celsius ($^{\circ}\text{C}$) $\times 2$ = duration in minutes required for the instrument to adjust to the new ambient temperature.
- Fahrenheit: Temperature difference in degrees Fahrenheit ($^{\circ}\text{F}$) = duration in minutes required for the instrument to adjust to the new ambient.

POWER ON/OFF INSTRUMENT

1. Power on the instrument with a short press of the On/Off key. You will hear ascending beeps when the instrument is starting up.
2. To power off the instrument, press the On/Off key until the On/Off key LED starts to flash with a high frequency. The On/Off key LED will continue to flash with a high frequency until the instrument powers off. You will hear descending beeps when the instrument is shutting down.

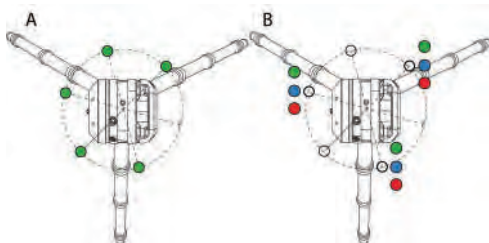
LEDs

LED	The instrument is ...
Off	off.
Yellow, flashing	starting up or shutting down.
Yellow, flashing slow	ready, but not connected to a controller.
Yellow, solid	ready and connected to a controller.
Yellow, flashing fast	updating the firmware.
On/Off key LED	
Off	off.
Orange, flashing	starting, shutting down, updating firmware, or running a diagnostic or field calibration report.
Green, solid	ready to scan with controller or scan button.
Blue, flashing	initializing, calibrating, leveling, and scanning.
White, flashing	acquiring images
Red, solid	encountering an issue with the battery, the SD card, leveling, auto-calibration, acquiring data, or there is a hardware failure.

Leveling LEDs

All five LEDs are green solid (see A)	leveled
Three LEDs are flashing (see B)	not leveled.
<ul style="list-style-type: none">• Green, flashing• Blue, flashing• Red, flashing	<ul style="list-style-type: none">• Tripod leg near the LED does not need adjusting.• Tripod leg near the LED is too low.• Tripod leg near the LED is too high.

NOTE – All LEDs and LED leveling guides can be turned on/off. Refer to the field software documentation.



OPERATION

The instrument is operated from the Trimble T10x tablet or comparable Microsoft® Windows® 10 tablet running the Trimble Perspective, Trimble Field Link, or Trimble Forensics Capture software. When the instrument is started, it is available for connection by the field software with Wi-Fi or with a USB 2.0 cable.

NOTE – Use only the approved Hirose 6P-PC to USB 2.0 cable (P/N 53096032) for cable communication between the instrument and the controller.

NOTE – Scans can be started with a short press of the power button when the controller is not connected.

For more information on the controller software, refer to the Trimble Perspective, Trimble Field Link, or Trimble Forensics Capture user guides.

ADDITIONAL INFORMATION

The original document is written in English. All documents in other languages are translations from the original English document. For more information and information in other languages, go to geospatial.trimble.com/X9.

For Trimble support, go to trimble.com/support.

© 2022, Trimble Inc. All rights reserved. Trimble, and the Globe & Triangle logo are trademarks of Trimble, registered in the United States and in other countries. Microsoft and are either registered trademarks or trademarks of Microsoft Corporation in the United States and/or other countries. All other trademarks are the property of their respective owners.
P/N 77005054-ENG, Rev A (August 2022).

Europe

Trimble Europe BV
Industrieweg 187A
5683 CC, Best
Netherlands

North America/ Rest of World

Trimble Inc.
4450 Gibson Dr
Tipp City, OH 45371
USA

