

## SPECIFICATIONS

		NTS-372R10	NTS-375R10
<b>Distance Measurement</b>			
Max.Range	Single prism		5.0km
	Reflectorless		1000m
	Reflector		1.0km
※Object in shade, or sky overcast			
Accuracy	Reflectorless	Fine	$\pm(3+2\text{ppm}\times D)$ mm
	Reflector	Fine	$\pm(1+1\text{ppm}\times D)$ mm
		IR sheet	
Reading			Max:9999999.9999m Min:0.1mm
Measuring Time	Reflectorless		Fine Mode:<0.3s;Tracking Mode:<0.1s
Atmospheric Correction			Manual Input, Auto Correction
Prism Constant			Manual Input, Auto Correction
Temperature Sensor			Freecale Sensor
<b>Angle Measurement</b>			
Measuring Method			Absolute Continuous
Dia. of Encoder Disk			79mm
Minimum Reading			0.1"
Accuracy			2" / 5"
Detection Method			Horizontal: Dual, Vertical: Dual
<b>OS and Hardware platform</b>			
Operate System			WINDOWS CE 6.0
Display			3.5 inch. 640x480 Highlighted Touch Screen
Data Communication			RS232, MINN USB, SD CARD
Processor			Intel PXA310 806MHZ
Memory			128M DDR, 512M NAND Flash
Blue Tooth			30M range. Class 2, V2.0+EDR
WIFI			Optional
Power Control Processor			Auto Adjust Voltage and Frequency, Save energy
<b>Telescope</b>			
Image			Erect
Tube Length			154mm
Effective Aperture			45mm,(EDM:50mm)
Magnification			30x
Field of View			1° 30'
Minimum Focus Distance			1m
Resolving Power			3"
<b>Auto Compensator</b>			
System			Dual Axis Liquid-electric
Working Range			$\pm 3'$
Accuracy			1"
<b>Vial</b>			
Plate Vial			30"/ 2mm
Circular Vial			8/ 2mm
<b>Optical Plummet</b>			
Image			Erect
Magnification			3x
Focusing Range			1m - $\infty$
Field of View			5°
<b>On-Board Battery</b>			
Type			Rechargeable Ni-H Battery
Voltage			DC 6V
Continuous Operation Time			8 hrs
<b>Others</b>			
Temperature			-20 ~ +50C
Dimension and Weight			200x190x350mm, 6.0kg
Plummet			Optical or Laser Plummet Optional

## ACCESSORIES



TK21T

TK25T

Single Prism System



Dia.: 25.4mm  
Offset: -17.5/-7.5mm

Mini Pole: 30cm X 4,  $\phi$  10mm

Mini Prism System ADSmini112A



ATS-1(Aluminum) ATS-2(Wooden)

Prism Pole & Prism System ADS107

dealer info

**SOUTH**  
Target your success

# NTS-370R<sub>10</sub> SERIES

## TOTAL STATION



**SOUTH**  
Target your success

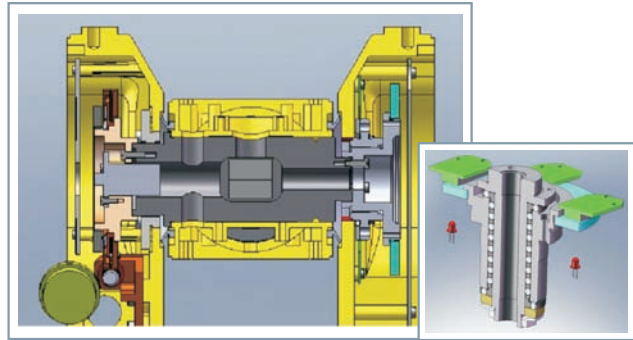
**SOUTH SURVEYING & MAPPING INSTRUMENT CO.,LTD.**

E-mail: mail@southsurvey.com export@southsurvey.com imexp@southsurvey.com euoffice@southsurvey.com  
http://www.southsurvey.com http://www.southinstrument.com

WWW.SOUTHSURVEY.COM  
WWW.SOUTHINSTRUMENT.COM

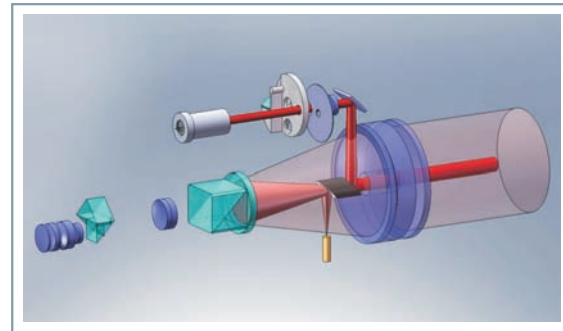
## 1. Angle measurement accuracy improve

- **Vertical angle:** integrated unitary axis, less components. Less offset tolerance.
- **Angle reading:** 4 detector technology, reduce disk offset angle and rit tolerance.



## 2. Distance measurement accuracy improve

- **Optical path change:** totally new 5 axis design, fully isolation emitting and reflect signal. Reduce optical Crosstalk.
- **Circuit design change:** 150MHZ ultra high measure frequency, improve measure tape accuracy, Development by self. Improve SNR (Signal noise rate)



## 3. Geometry accuracy improve

- Clear telescope and high accuracy tribrach system, make sure pointing accuracy.

## 4. Compensator accuracy improve

- Micro survey tile tolerance by CCD image to compensate.

## 5. UE (User experience) improvement

- 640\*480 high resolution.3.5 inch display unit. Easy to read under sunshine.
- WIN CE 6.0 OS, blue tooth standard, WIFI optional.
- Ultra measure speed. Fine0.3S, track 0.1s.
- A variety of data transfer options for diverse needs, eg. SD card, mini USB interface.



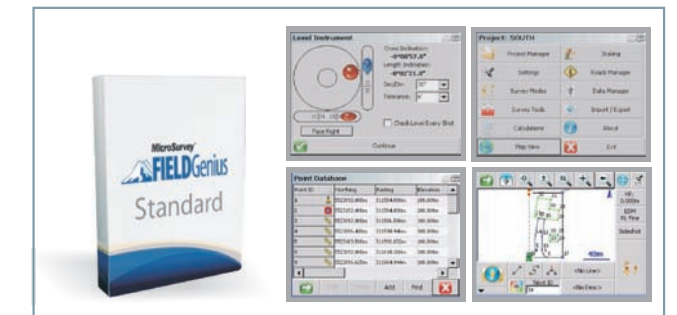
## Software

The fieldwork software includes Carlson SurvCE and MicroSurvey FieldGenius for a complete field-to-office solution.

### Carlson SurvCE (Optional)



### MicroSurvey FieldGenius (Optional)



## Applications



**Deformation Monitoring**  
Applicable for buildings, underground projects and tunnel monitoring



**Tunnel Construction**  
Used for drilling and orientation with reliable machine guidance



**Mini Triangular Networking**  
Ideal for control survey or layouts in small-to-medium-sized triangular network



**Bridge Monitoring**  
Designed for installation survey and continuous automatic deformation monitoring of bridges



**Embankment Monitoring**  
Perfect for all-day monitoring of dam bodies like hydropower stations and tailing reservoirs with external power supply

